


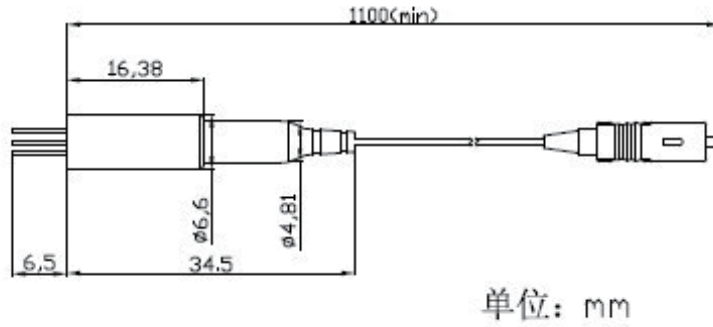
870nm 5mw Coaxial Pigtailed Laser Diode with MM Fiber

870nm~880nm Fiber Coupled LD with MMF

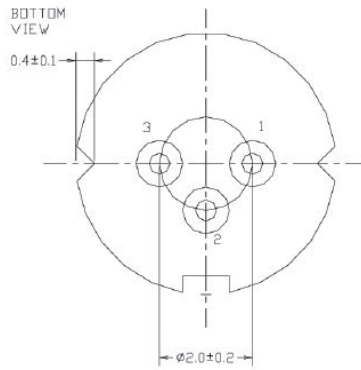
WSLP-880-005m-105M-PD

880nm Pigtailed Diode Laser		5mW/MM Fiber		Wavespectrum Laser, Inc	
PARAMETER	SYMBOL	VALUE		UNIT	
Reverse Voltage	V_r	2.0		V	
Operating Temperature	T_{op}	-10~+60		°C	
Storage Temperature	T_{stg}	-10 ~ +85		°C	
Lead soldering temperature (10 sec.)	T_{is}	260		°C	
Features: <ul style="list-style-type: none"> 880nm MM Fiber Coaxial package Built-in PD 					
Applications: <ul style="list-style-type: none"> Medical laser treatment Printing 					
Specifications		WSLP-880-005m-105M-PD			
		Min	Type	Max	
Center Wavelength@25°C		870nm	880nm	890nm	
Spectral Width (FWHM)		----	----	----	
Output Power		----	5mW	----	
Fiber Type		105um MM fiber			
Slope Efficiency		0.3mW/mA	0.5mW/mA	----	
Monitor Current		0.2mA	----	0.6mA	
PD Reverse Voltage		----	30V	----	
Fiber Connector		FC/ST/SMA905			
Fiber Length		----	80cm	100cm	
Threshold Current (Typ.)		----	10mA	15mA	
Operating Current (Typ.)		----	29mA	35mA	
Operating Voltage		----	2.2V	2.5V	
Package Style		Coaxial			

Coaxial Package View



PIN Bottom View:



1	PD(+)
2	LD(+)&PD(-)
3	LD(-)

**Electrically shorten LD module and store in non-extreme conditions.
Suggest using the constant current power supply.**

